

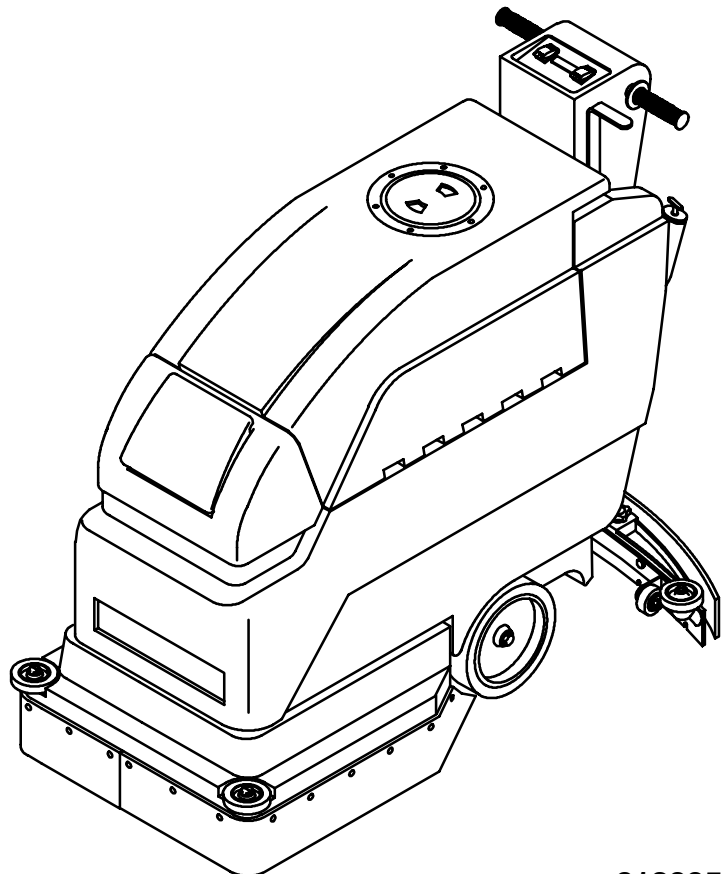
FLOOR EQUIPMENT PARTS.COM

5200

**Battery Automatic Scrubber
Fregadora Automática Batería**

Model No.:
612950
612951 - Pac
612952 - Can. Pac

**Operator and Parts Manual
Manual de Operación y de Piezas**



TENNANT COMPANY
701 NORTH LILAC DRIVE
MINNEAPOLIS, MN 55422

MAILING ADDRESS:
TENNANT COMPANY
P.O. BOX 1452
MINNEAPOLIS, MN 55440-1452

CUSTOMER SERVICE:
1-800-982-7658
1-763-513-2850

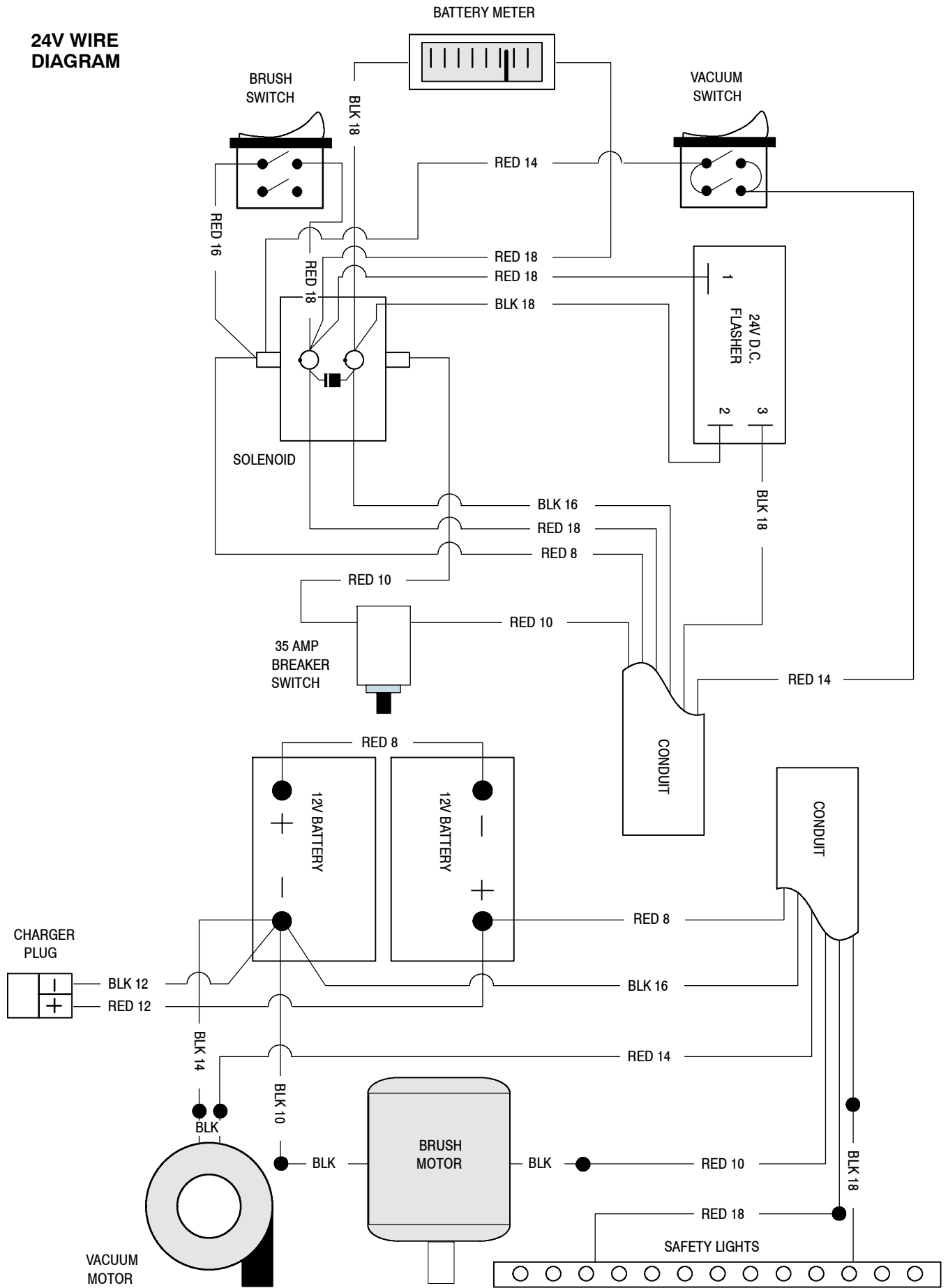
FAX: 1-800-678-4240
1-763-513-2142

TECHNICAL SUPPORT:
1-800-522-7839 EXT. 5356

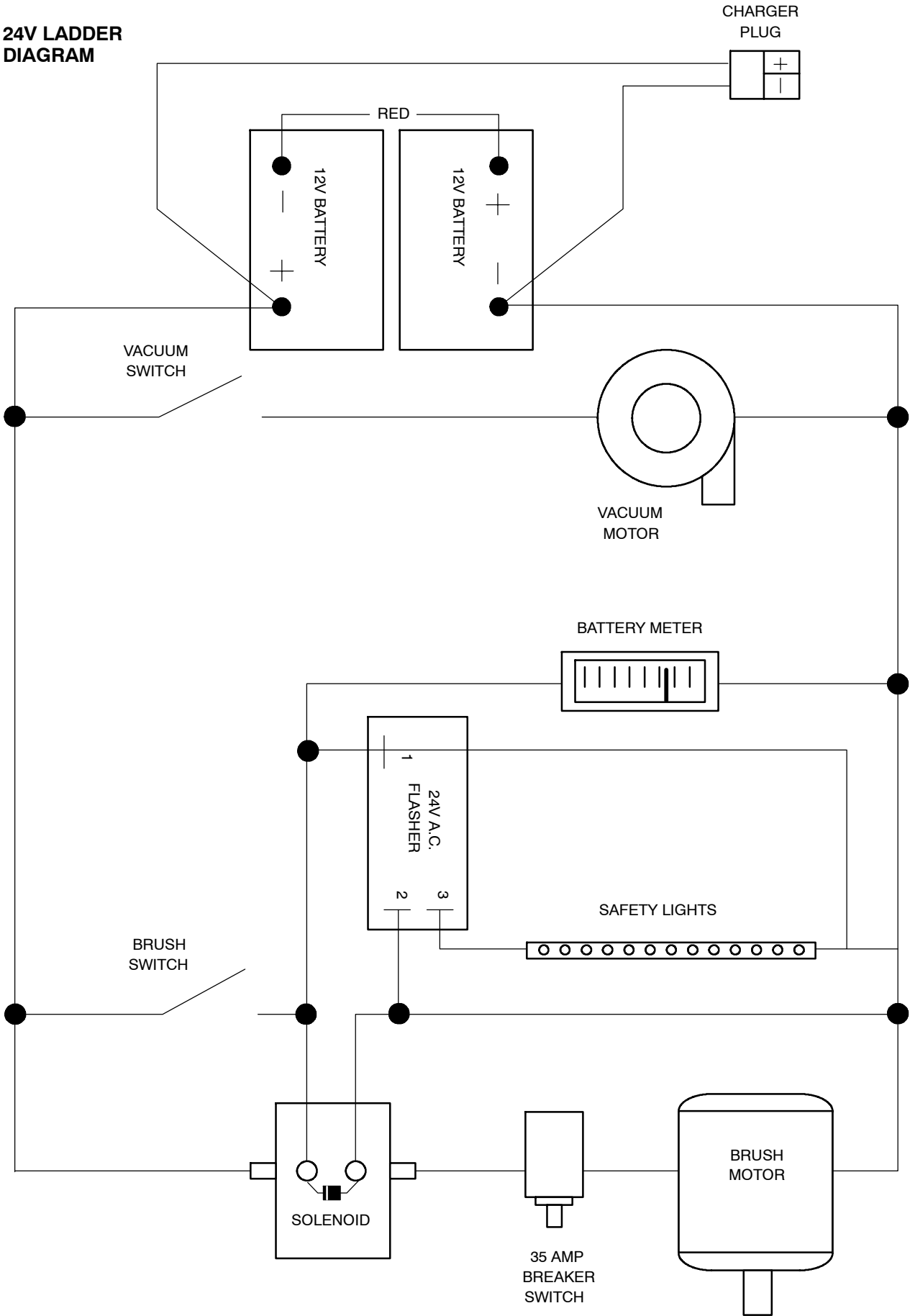
612995
Rev. 01 (04-04)

ELECTRICAL DIAGRAMS DIAGRAMAS ELECTRICAS

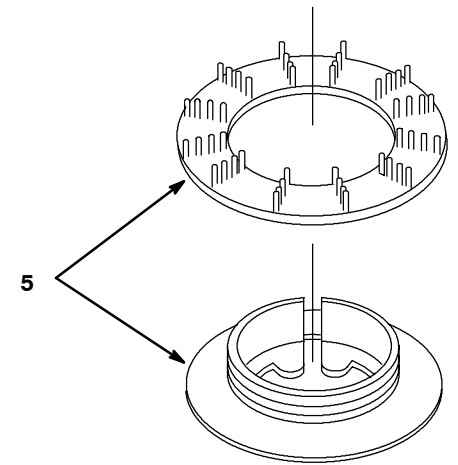
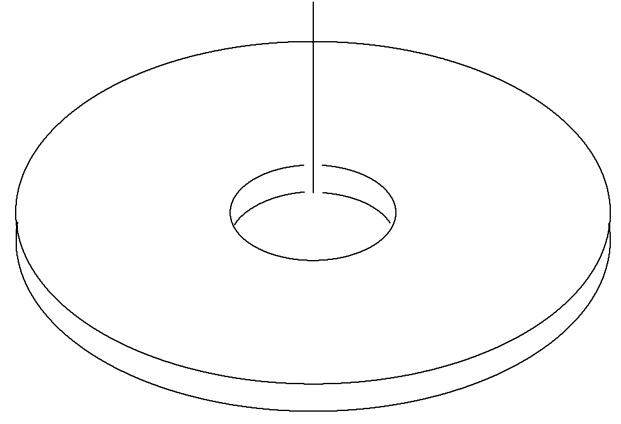
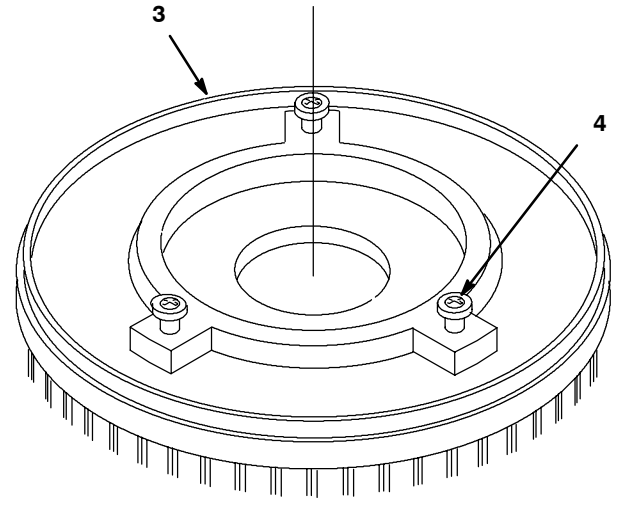
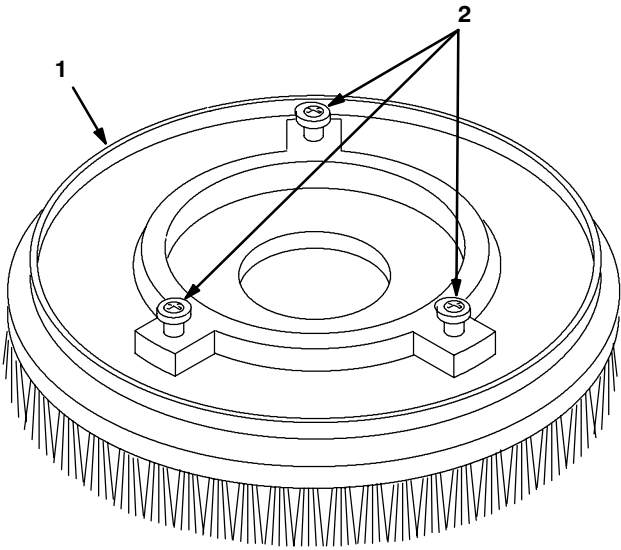
24V WIRE DIAGRAM



24V LADDER
DIAGRAM



REPLACEMENT BRUSHES AND PAD DRIVER GROUP
CEPILLO DEL REEMPLAZO Y GRUPO DEL MANDO DE LA ALMOHADILLA



REPLACEMENT BRUSHES AND PAD DRIVER GROUP
CEPILLO DEL REEMPLAZO Y GRUPO DEL MANDO DE LA ALMOHADILLA

REF	PART #	DESCRIPTION	QTY.
∇ 1	240250	●BRUSH, POLY-SCRUB	1
	240251	●BRUSH, DYNA-SCRUB	1
	240252	●BRUSH, NYLON SCRUB/STRIP	1
	240253	●BRUSH, STRATA SCRUB/STRIP	1
▲ 2	240238	●LUGS, W/ SCREWS (SET OF 3)	3

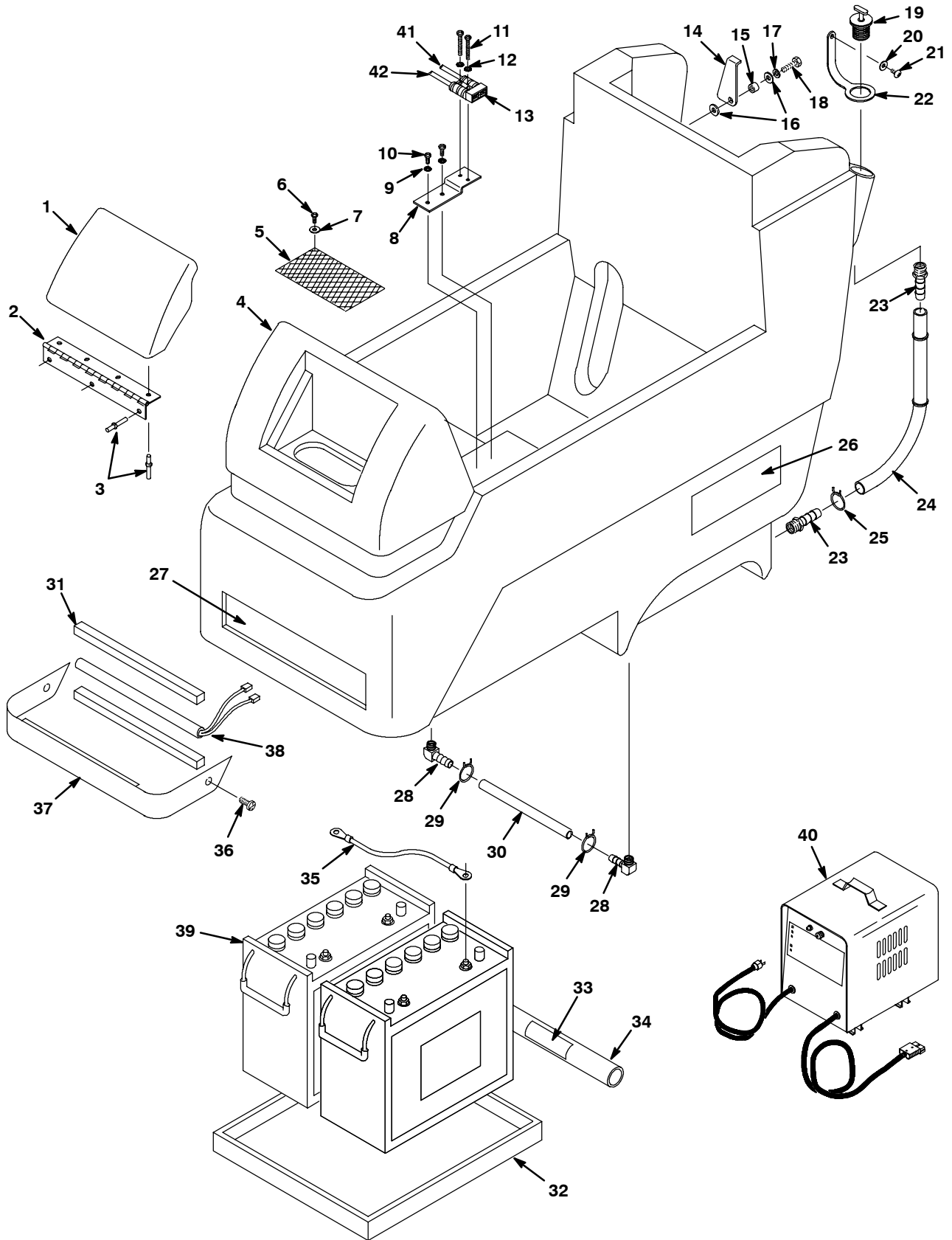
REF	PART #	DESCRIPTION	QTY.
∇ 3	240249	●PAD DRIVER ASM 20"	1
▲ 4	240254	●LUGS, W/SCREWS (SET OF 3)	3
▲ 5	25707	●LOCK, UNIVERSAL CENTER	1

∇ ASSEMBLY / CONJUNTO

▲ INCLUDED IN ASSEMBLY / INCLUIDO EN EL CONJUNTO

● RECOMMENDED STOCK ITEMS / ARTICULOS RECOMENDADOS

SOLUTION TANK GROUP
GRUPE DEL DEPÓSITO DE DISOLUCIÓN



SOLUTION TANK GROUP
GRUPE DEL DEPÓSITO DE DISOLUCIÓN

REF	PART #	DESCRIPTION	QTY.
∇	607982	ASM, COVER SOL. TANK TEAL	1
▲ 1	612519	COVER, SOLUTION TANK TEAL	1
▲ 2	611068	HINGE, COVER	1
▲ 3	140706	RIVET, POP 1/8	7
4	607533	TANK, SOLUTION TEAL	1
5	607099	●SCREEN, SOLUTION FILL	1
6	3701.6	SCREW, #6 X 3/8 PHL SHTMTL	2
7	140032	WASHER, #6 FLAT	2
8	230665	BRACKET, CHARGER PLUG	1
9	140018	WASHER, LOCK INT #10 SS	2
10	140892	SCREW, 10-24 X 1/2 RNDPHL	2
11	2728.12	SCREW, 6-32 X 3/4 PANPHL	2
12	140019	WASHER, LOCK #6 EXT	2
13	605387	●CONNECTOR, RED 50A WO/CONT.	1
14	230925	SUPPORT, RECOVERY TANK	1
15	611418	SLEEVE, 0.437D 0.315B 0.146	1
16	140027	WASHER, FLAT, 0.35B 0.75D .04 SS	2
17	140015	WASHER, LOCK, SPLT 0.31 SS	1
18	140226	SCREW, HEX .31-18 X 0.62	1
19	621324	●PLUG, EXPANDABLE 1.50D	1
20	19066	WASHER, FLAT #10	1
21	140350	SCREW, #10X1/2	1
22	600476	●STRAP, PLUG REAR FILL	1

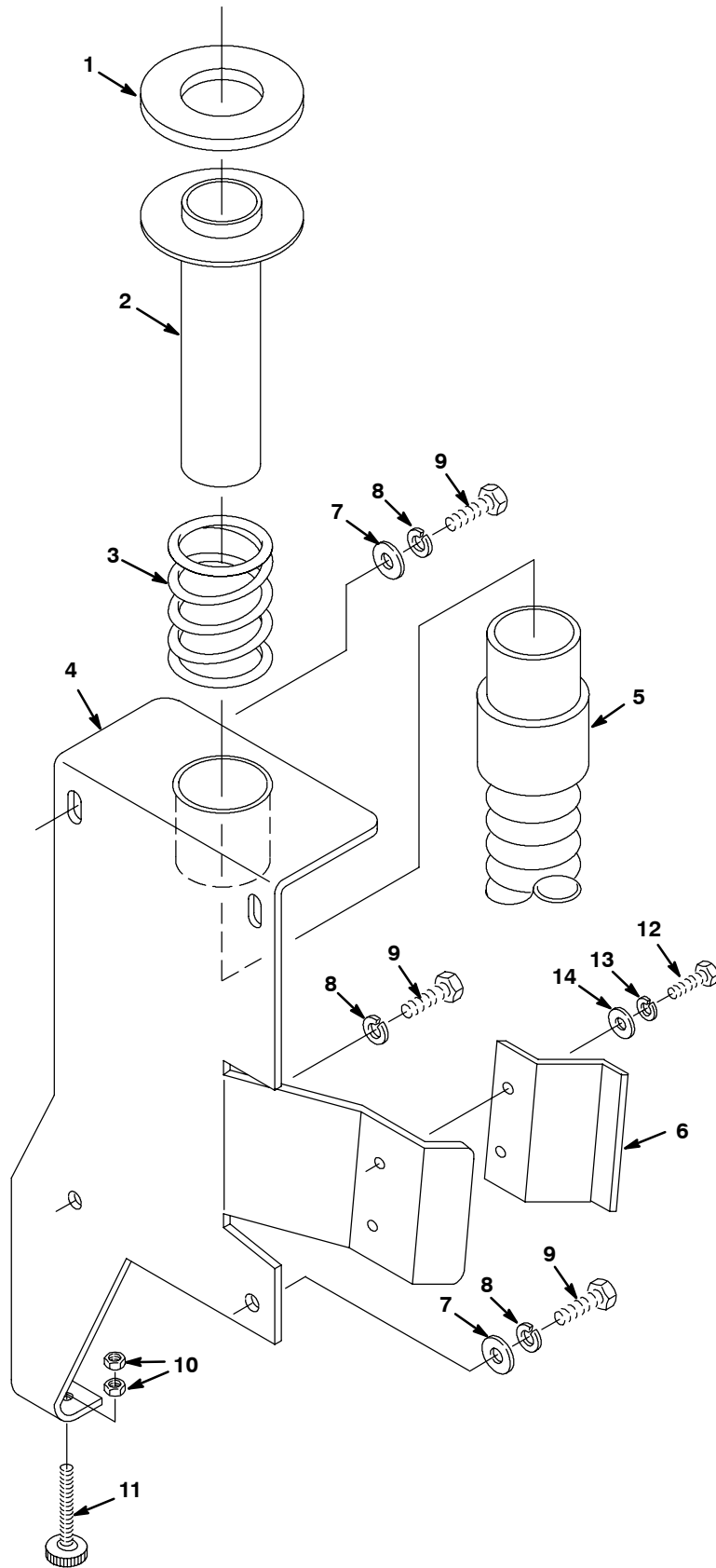
REF	PART #	DESCRIPTION	QTY.
23	14884	FITTING, BRS STR PM06/BM08	2
24	700420	ASM., HOSE W/SOL. INDICATOR	1
25	607776	CLAMP, HOSE 2-WIRE BLK	1
26	608120	DECAL, 5200 SIDE	2
27	120210	DECAL, TENNANT LOGO	1
28	150419	FITTING, E90, PM04/BM06	2
29	607775	CLAMP, HOSE 2-WIRE BLK	2
30	606240	●HOSE, 3/8IDX5/8ODX10.25	1
31	605324	GASKET, 1/2" CLOSED CELL	2
32	602927	TRAY, BATTERY	1
33	120589	DECAL, BATTERY PLACEMENT	1
34	602592	SUPPORT, TUBE BATTERY	1
35	130364	●CABLE, BATTERY #6BLKX15"	1
36	140835	SCREW, 10-24X3/8 PAN PHL	2
37	612764	SHIELD, LIGHT	1
38	130023	LIGHT, SAFETY 24VDC 14"	1
39	130869	BATTERY, 12V 130AH (WET)	2
40	603553	CHARGER, 24DC/12A 120V	1
	604280	CHARGER, 24V 12A 90V-250V	1
41	700169	WIRE, #12X17 5/16 BLK	1
42	700168	WIRE, #12X12 3/8 RED	1

∇ ASSEMBLY / CONJUNTO

▲ INCLUDED IN ASSEMBLY / INCLUIDO EN EL CONJUNTO

● RECOMMENDED STOCK ITEMS / ARTICULOS RECOMENDADOS

SOLUTION TANK REAR PANEL GROUP
CONJUNTO PANEL TRASERA



SOLUTION TANK REAR PANEL GROUP
CONJUNTO PANEL TRASERA

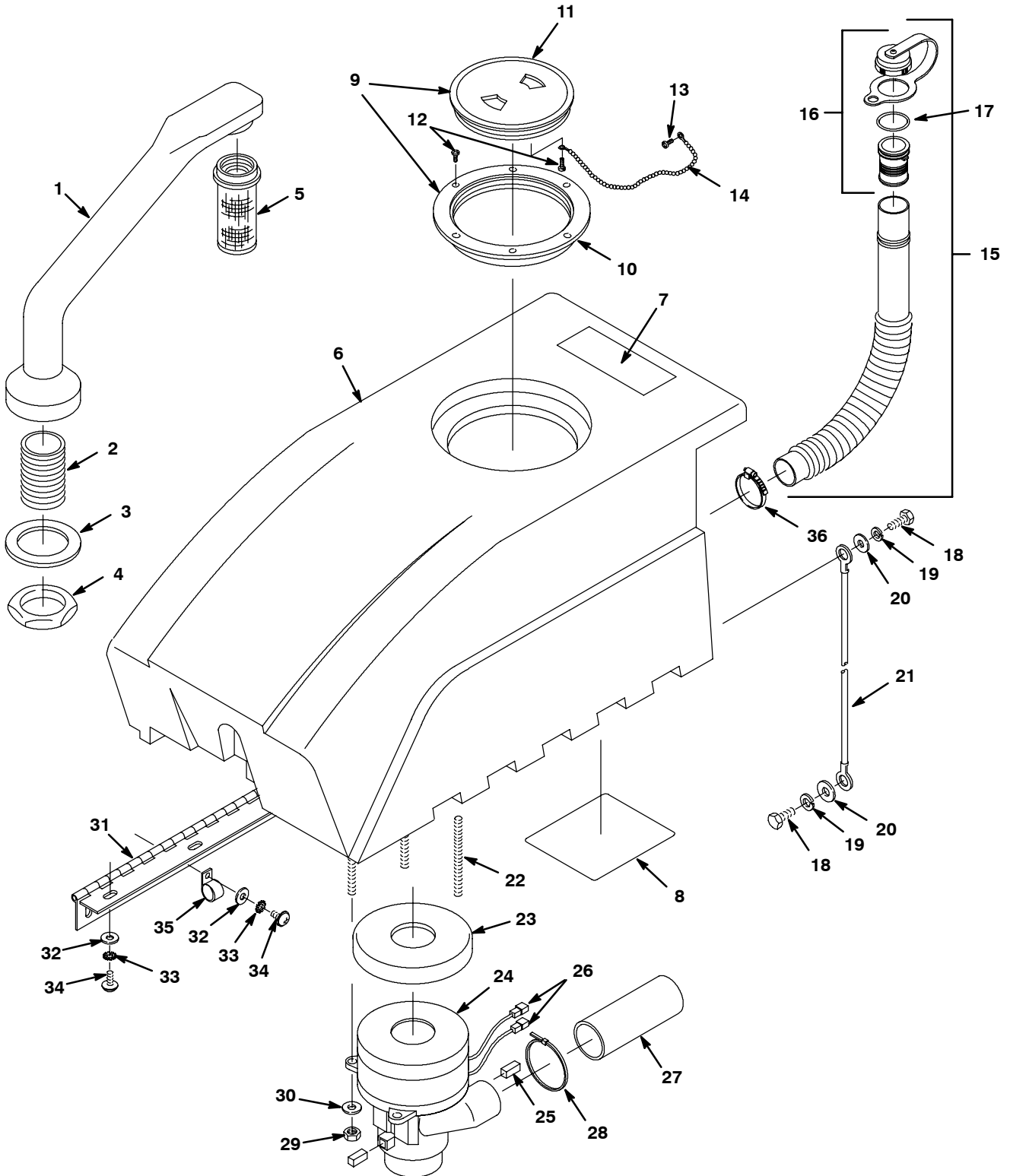
612798

REF	PART #	DESCRIPTION	QTY.
1	100151	●GASKET, TUBE ADAPTER	1
2	230664	ADAPTER, TUBE	1
3	140424	SPRING, TUBE-ADAPTER	1
4	1001210	BRACKET, TUBE MOUNTING	1
5	160617	●HOSE, VAC 1- 1/2 X24" W/CUFFS	1
6	230872	LATCH, PLATE BRUSH LIFT 1/2x27"	1
7	140027	WASHER, FLAT, 0.35B 0.75D .04 SS	3
8	140015	WASHER, LOCK, SPLT 0.31 SS	4

REF	PART #	DESCRIPTION	QTY.
9	140226	SCREW, 5/16-18X5/8	4
10	140548	NUT, 5/16 FINJAM	2
11	240191	KNOB ASSY, RND 1.00D .31-18 2.0L PLSTC	1
12	140259	SCREW, HEX, .25-20 X .62 SS	2
13	140016	WASHER, LOCK 0.25	2
14	140000	WASHER, 1/4 FLAT	2

● RECOMMENDED STOCK ITEMS / ARTICULOS RECOMENDADOS

RECOVERY TANK GROUP
CONJUNTO DESPÓSITO RECUPERAR



RECOVERY TANK GROUP
CONJUNTO DESPÓSITO RECUPERAR

REF	PART #	DESCRIPTION	QTY.
∇ 1	701103	ASM, STANDPIPE W/NIPPLE	1
▲ 2	606088	FITTING, 1-1/2" NIPPLE	1
3	101714	●GASKET, WASTE AIR CHAMBER	1
4	210240	NUT, 1-1/2 FPT FLNG METAL	1
5	180613	●FLOAT, SHUT-OFF (1) BALL	1
∇ 6	614152	ASM., TANK REC. TEAL	1
▲ 7	613287	LABEL, WARNING DC 6" X 2.25"	1
▲ 8	120588	DECAL, BATTERY RECHARGING	1
∇ 9	100102	●ASM., LID CLEAR W/STND HOLE	1
▲ 10	100109	●LID, OUTER RING ONLY	1
▲ 11	100105	●LID, CLEAR CENTER ONLY	1
12	140826	SCREW, #6 X 3/4 PHL SHTMTL	7
13	3701.6	SCREW, #6 X 3/8 PHL SHTMTL	1
14	230513	CHAIN	1
∇ 15	1010143	●ASM., DRAIN HOSE	1
▲ 16	1008639	●ASM., CAP, DRAIN HOSE	1
▲ 17	1008637	O-RING	1
18	140259	SCREW, HEX, .25-20 X .62 SS	2

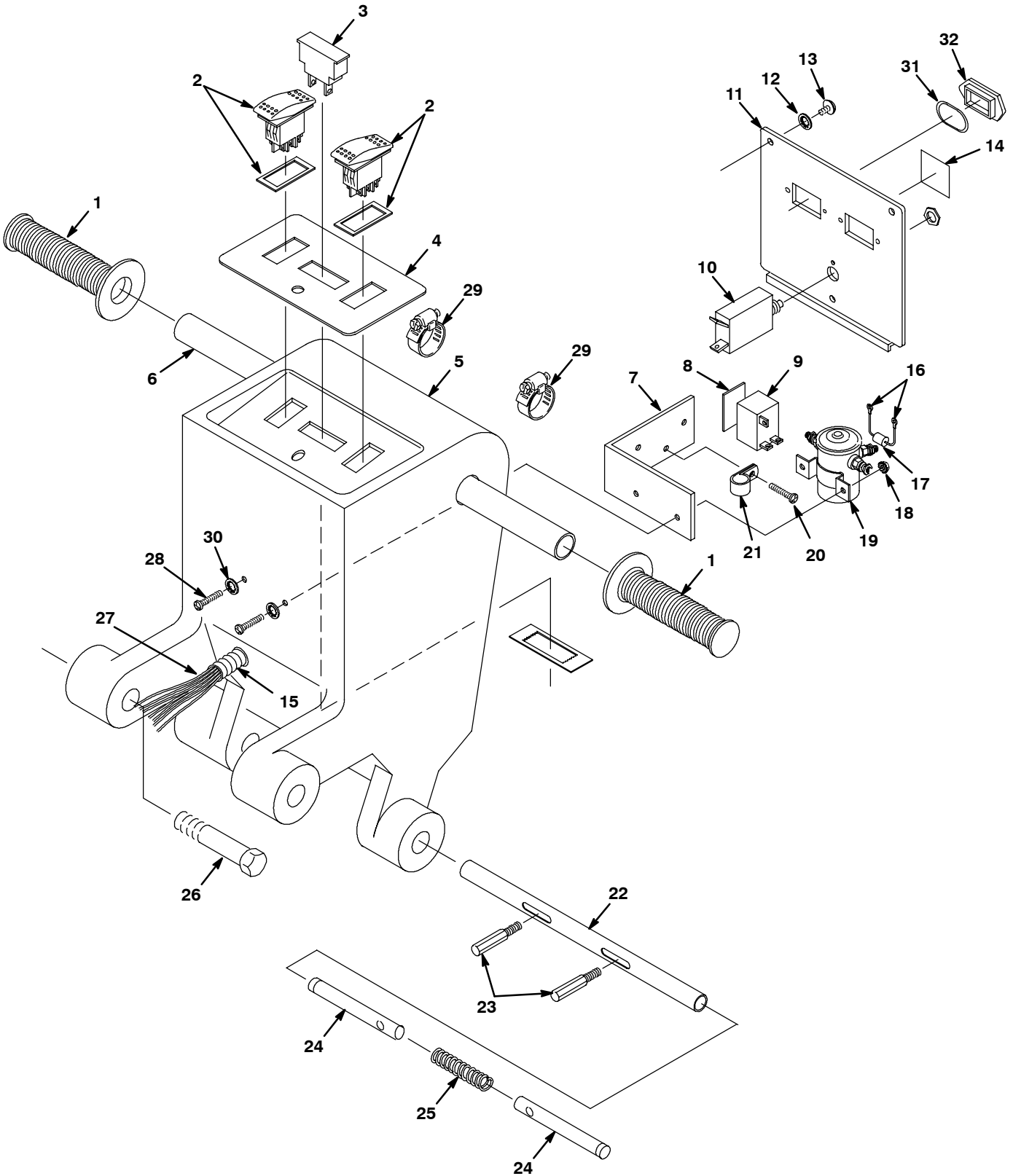
REF	PART #	DESCRIPTION	QTY.
19	140016	WASHER, LOCK 0.25	2
20	140000	WASHER, 1/4 FLAT	2
21	140960	●CABLE, REC. TANK SUPPORT	1
22	606923	STUD, 1/4-20 X 4.00	3
23	100038	●GASKET VAC MOTOR 5.7	1
∇ 24	605357	●MOTOR, VAC 24V 1/2 HP	1
▲ 25	190163	●BRUSH, CARBON 2/PK	1
26	130133	TERMINAL, MALE .25	2
27	600009	●MUFFLER, VAC EXHAUST	1
28	130041	WIRE TIE, 11-1/2X.19 NY	1
29	41169	NUT, HEX LOCK .25-20 NL	3
30	140000	WASHER, 1/4 FLAT	3
31	605244	●HINGE, RECOVERY TANK	1
32	140000	WASHER, 1/4 FLAT	9
33	140052	WASHER, LOCK EXT 0.25	9
34	140885	SCREW, TRS 1/4-20 X 0.50 PHL	9
35	140300	CLAMP, INSULATED 1/2"ID	1
36	140308	CLAMP, HOSE, WORM, 1.31-2.25	1

∇ ASSEMBLY / CONJUNTO

▲ INCLUDED IN ASSEMBLY / INCLUIDO EN EL CONJUNTO

● RECOMMENDED STOCK ITEMS / ARTICULOS RECOMENDADOS

CONTROL CONSOLE GROUP
CONJUNTO CONSOLA DE CONTROLES



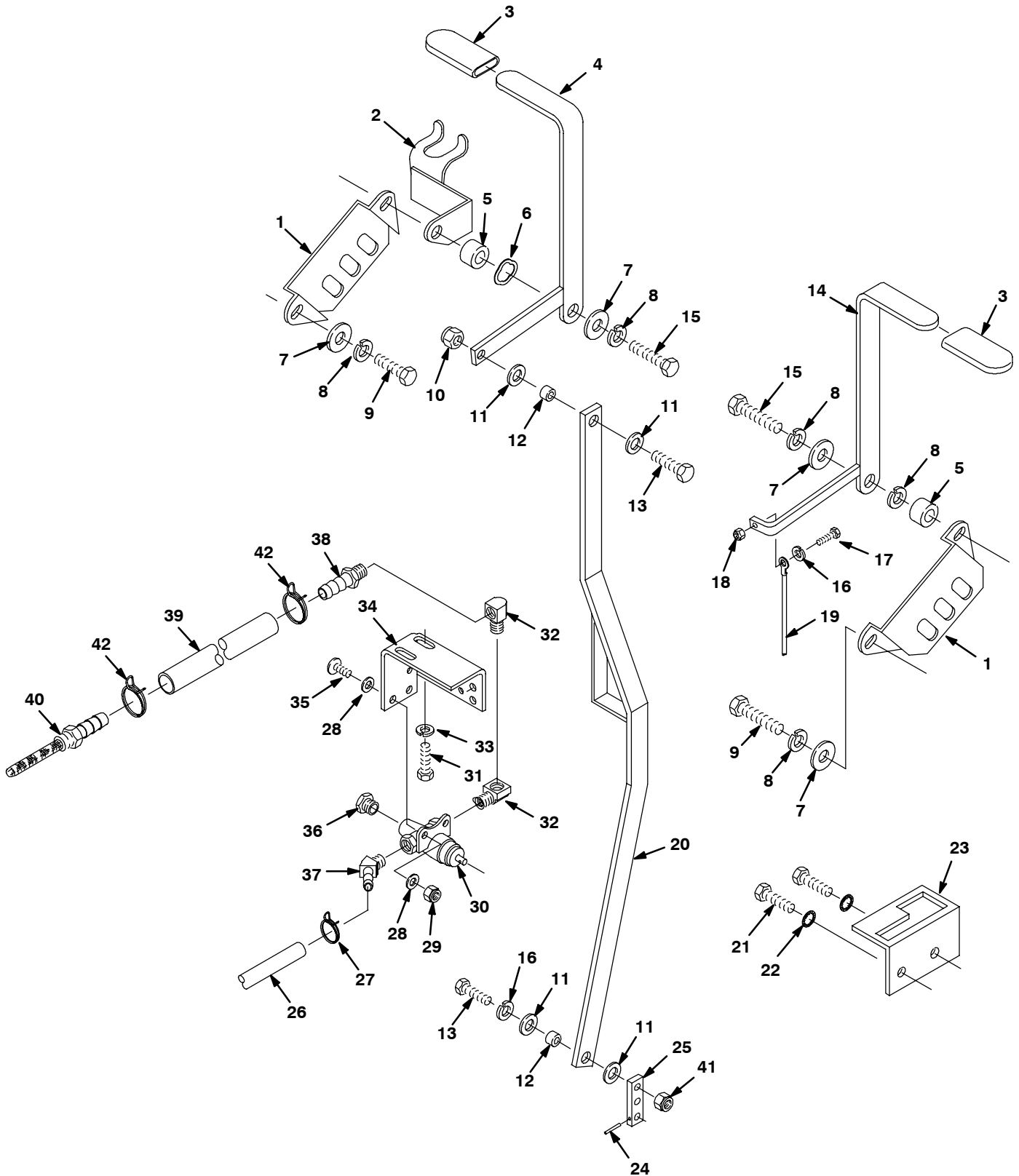
CONTROL CONSOLE GROUP
CONJUNTO CONSOLA DE CONTROLES

REF	PART #	DESCRIPTION	QTY.
1	200823	GRIP, HANDLE TUBE	2
2	608605	●SWITCH, ROCKER DPST SEAL	2
3	606020	●METER, BATTERY VOLTAGE 24V	1
4	600641	DECAL, DASH	1
5	607531	CONTROL CONSOLE TEAL	1
6	230709	HANDLE, TUBE	1
7	230744	BRACKET, ELECTRONICS MOUNT	1
8	606243	TAPE, ACRYLIC FOAM, 1"WX12L	1
9	130021	●FLASHER, 24VDC	1
10	130756	●BREAKER, CIRCUIT 35A	1
11	610949	COVER, CONTROL CONSOLE	1
12	140018	WASHER, LOCK INT #10 SS	2
13	140197	SCREW, TRS 10-24X0.38 PHL SEM	2
14	606105	LABEL, HZRD DO NOT SPRAY	1
15	605840	LOOM, 3/4DIA X 2.5'	1
16	281001009	●TERMINAL, RING #10	2

REF	PART #	DESCRIPTION	QTY.
17	606404	●ASM., DIODE W/RING TRMNL	1
18	140519	NUT, 10-24 KEP	2
19	605905	●SOLENOID, 24 VDC 125A	1
20	140900	SCREW, 10-24X3/4	1
21	140916	CLAMP, CABLE 5/8ID NY	1
22	230715	TUBE, HANDLE ADJUSTMENT	1
23	230649	PIN, HANDLE ADJUSTMENT	2
24	230710	PIN, HANDLE LOCK	2
25	140415	SPRING, LOCK PIN	1
26	140241	BOLT, SHOULDER 5/8 X 2	2
27	700167	HARNESS, WIRE	1
28	140900	SCREW, 10-24X3/4	2
29	614157	CLAMP, HOSE, 27-51MM	2
30	140018	WASHER, LOCK INT #10 SS	2
31	605823	●O-RING, .926 ID X .99600	2
32	609969	●PLUG, HOUR METER	2

● RECOMMENDED STOCK ITEMS / ARTICULOS RECOMENDADOS

LEVER GROUP
CONJUNTO DE PALANCAS



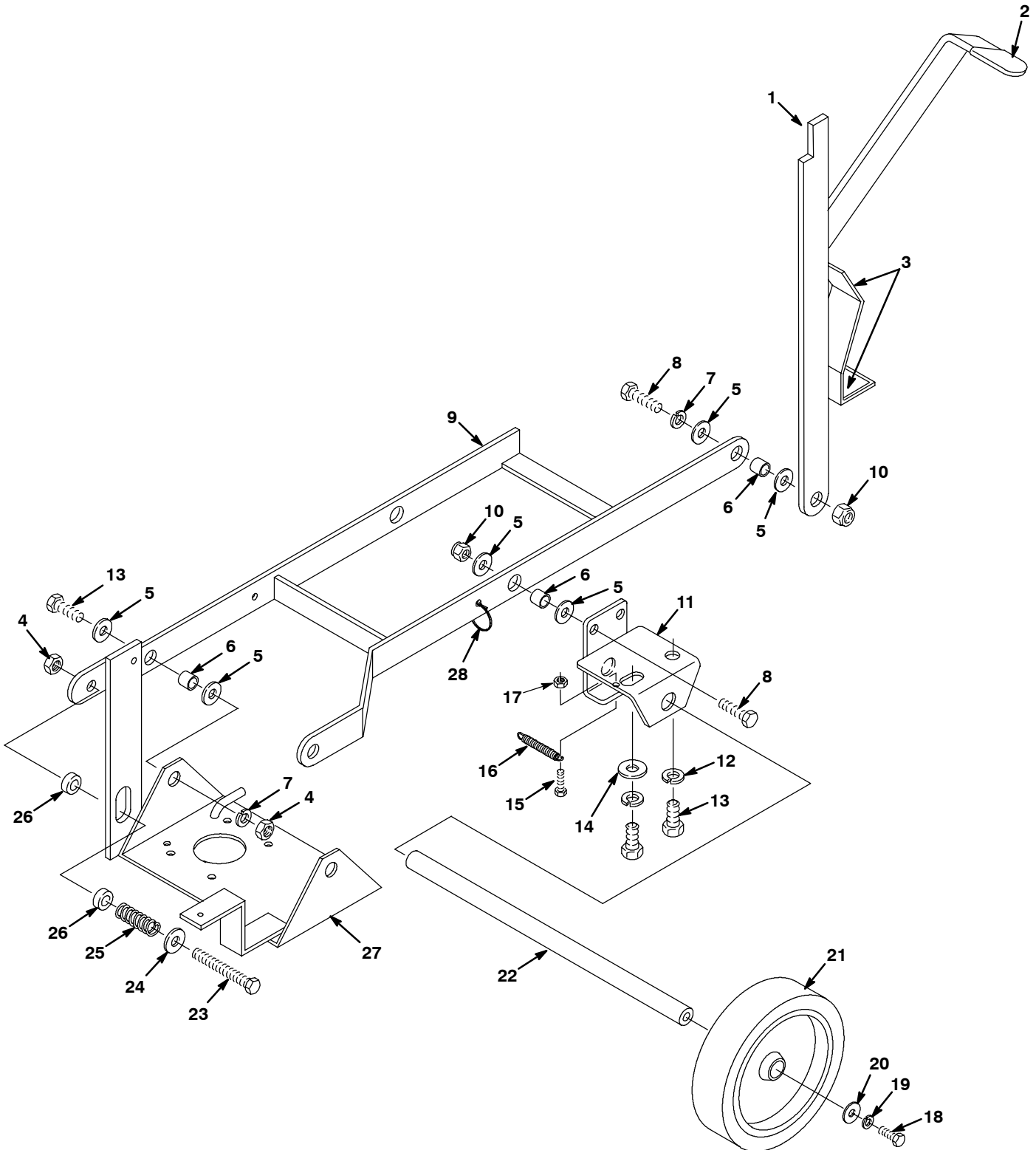
LEVER GROUP
CONJUNTO DE PALANCAS

REF	PART #	DESCRIPTION	QTY.
1	230661	PLATE, LOCK CONTROL HOUSING	2
2	611979	WELDMENT, DRAIN HOSE HANGER	1
3	200816	●GRIP, HANDLE	2
4	230719	HANDLE, SOLUTION VALVE	1
5	230735	BUSHING, SPACER	2
6	140060	WASHER, .505 X .750 X .045 WAVE	1
7	140027	WASHER, FLAT, 0.35B 0.75D .04 SS	4
8	140015	WASHER, LOCK, SPLT 0.31 SS	4
9	140226	SCREW, 5/16-18X5/8	2
10	32520	NUT, .25-20 HEXJAM	1
11	140000	WASHER, 1/4 FLAT	4
12	140134	SLEEVE, 0.376D 0.253B 0.28L	2
13	140208	SCREW, HEX .25-20 X 1.00	2
14	230728	HANDLE, SQUEEGEE LIFT	1
15	140221	SCREW, HEX .31-18X1.25	2
16	140016	WASHER, LOCK 0.25	2
17	140259	SCREW, HEX, .25-20 X .62 SS	1
18	140510	NUT, 1/4-20 HEXJAM	1
19	1015636	●CABLE, SQUEEGEE LIFT	1
20	230718	LEVER, SOLUTION VALVE	1
21	140951	SCREW, 10-24X7/16	2

REF	PART #	DESCRIPTION	QTY.
22	140018	WASHER, LOCK INT #10 SS	2
23	230712	PLATE, SQUEEGEE LOCK	1
24	140616	PIN, ROLL	1
25	230657	ARM, VALVE	1
26	606238	HOSE, 3/8IDX5/8ODX18	1
27	607775	CLAMP, HOSE 2WIRE BLK	1
28	140011	WASHER, 3/16 FLAT	4
29	140552	NUT, 10-24 NYLOCK	2
30	210259	●VALVE, BALL 3-WAY	1
31	140259	SCREW, HEX, .25-20 X .62 SS	2
32	27048	FITTING, BRS E90 PM04/PF04	2
33	140016	WASHER, LOCK 0.25	2
34	600750	BRACKET, VALVE	1
35	140895	SCREW, 10-24X3/4	2
36	150206	FITTING, BRS PLUG PM04 HEX	1
37	605394	FITTING, BRS E45 BM06/PM04	1
38	150517	FITTING, BRS STR PM04/BM08	1
39	606241	HOSE, 1/2ID X 6"	1
40	180629	FILTER, SCREEN 012 MESH	1
41	41169	NUT, HEX LOCK .25-20 NL	1
42	607776	CLAMP, HOSE 2WIRE BLK	2

● RECOMMENDED STOCK ITEMS / ARTICULOS RECOMENDADOS

NON-DRIVE MODEL WHEEL GROUP
CONJUNTO PARA LEVANTAR CEPILLO



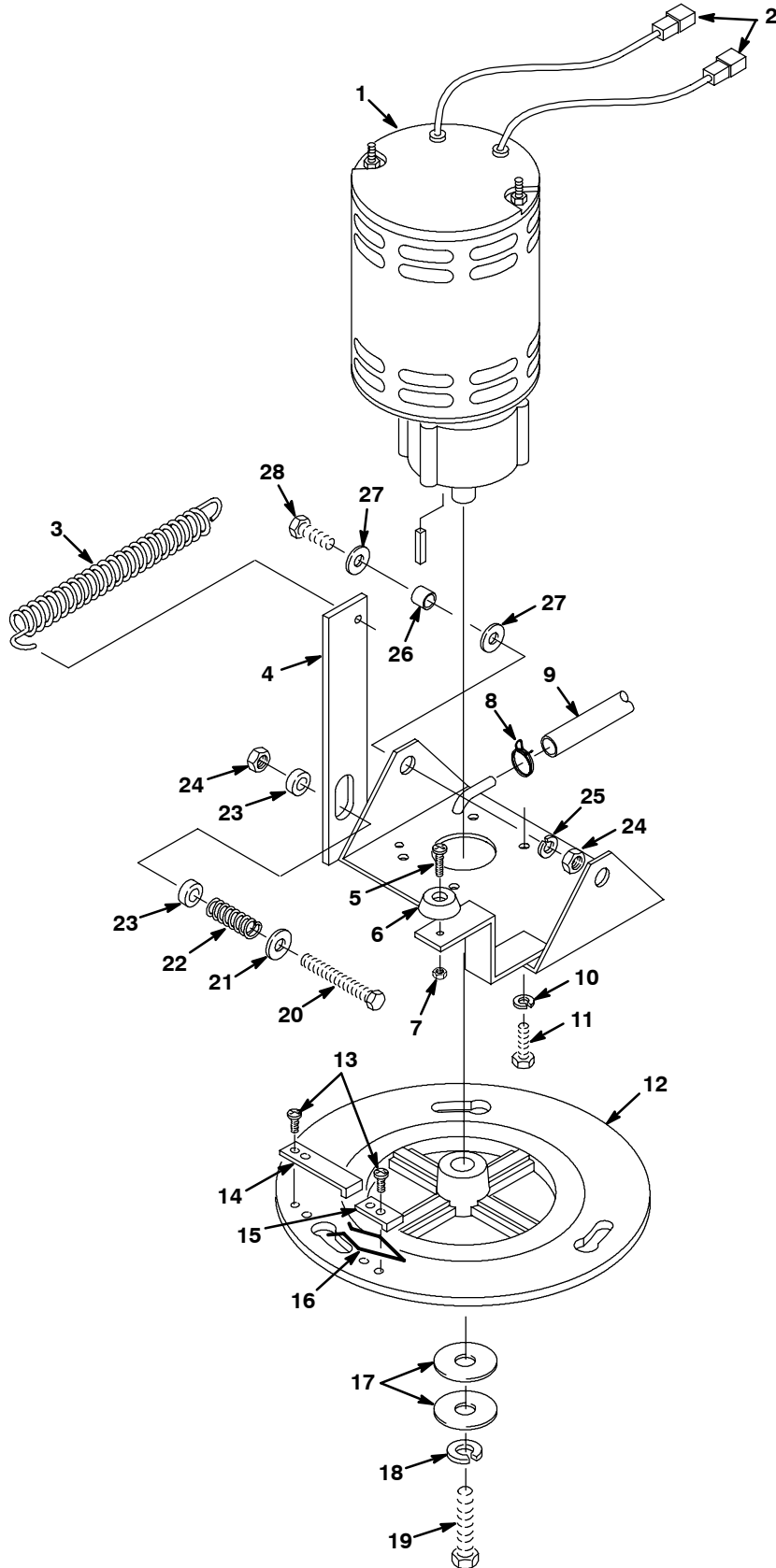
NON-DRIVE MODEL WHEEL GROUP
CONJUNTO PARA LEVANTAR CEPILLO

REF	PART #	DESCRIPTION	QTY.
1	230874	LEVER, BRUSH LIFT FOOT	1
2	200816	GRIP, HANDLE	1
3	102560	PAD, NON-SLIP 1.62 SQ.	2
4	140509	NUT, 1/2-13 HEXJAM	3
5	140045	WASHER, FLAT, 0.51B 1.25D .06 SS	10
6	140139	SLEEVE, 0.625D 0.50B 0.25L STL	5
7	140024	WASHER, LOCK 0.50 SS	3
8	140236	SCREW, .50-13 X 1.25	3
9	230870	WELDMENT, LIFT BRACKET	1
10	02931	NUT, HEX .50-13 LOCK NY	3
11	230869	BRACKET, AXLE & SQ PIVOT MNT	2
12	140024	WASHER, LOCK 0.50 SS	4
13	140237	SCREW, HEX .50-13 X 1.00	6
14	140045	WASHER, FLAT, 0.51B 1.25D .06 SS	2

REF	PART #	DESCRIPTION	QTY.
15	02991	SCREW, HEX .31-18 X 0.75	2
16	140433	SPRING, EXT .50 X 3.00	2
17	140506	NUT, 5/16-18 HEX	2
18	02994	SCREW, HEX .38-16 X 0.75	2
19	140017	WASHER, LOCK SPLIT 0.38	2
20	140028	WASHER, FLAT 0.42B, 1.00D	2
21	1012022	●WHEEL 8"X1.5"	2
22	230743	SHAFT, AXLE .75D 166L	1
23	140234	SCREW, 1/2-13X2-1/2 HXHDCP	1
24	3148.816	WASHER, 0.52B 0.88D .06	1
25	140430	SPRING, HANDLE LOCK	1
26	140127	BEARING, THRUST	2
27	230871	BRACKET, MOTOR MOUNT	1
28	130040	WIRE TIE, NYLON	1

● RECOMMENDED STOCK ITEMS / ARTICULOS RECOMENDADOS

BRUSH DRIVE GROUP
CONJUNTO IMPULSO DE CEPILLO



**BRUSH DRIVE GROUP
CONJUNTO IMPULSO DE CEPILLO**

REF	PART #	DESCRIPTION	QTY.
▽ 1	130491	●MOTOR, W/GEARBOX 24V IMP	1
▲	190970	●BRUSH, CARBON (SET OF 4)	4
▲	190741	●ASM, BRUSH CARD	1
▲	630609	●GEAR BOX, IMPERIAL MOTOR	1
2	130192	TERMINAL ENDS	2
3	140431	SPRING, EXT 1.0 X 5.00 X 0.95	1
4	230871	BRACKET, MOTOR MOUNT	1
5	140823	SCREW, TRS 10-24 X 0.63 PHL	1
6	100091	BUMPER, RECESSED	1
7	140552	NUT, HEX 10-24 NY	1
8	607775	CLAMP, HOSE 2WIRE BLK	1
9	609924	HOSE, 3/8IDX5/8ODX19" CLEAR	1
10	140017	WASHER, LOCK SPLIT 0.38	4
11	140202	SCREW, HEX .38-16 X 1.00	4
12	606335	PLATE, DRIVE MOLDED	1
13	606915	SCREW, HILO #10-16 X 3/8	4

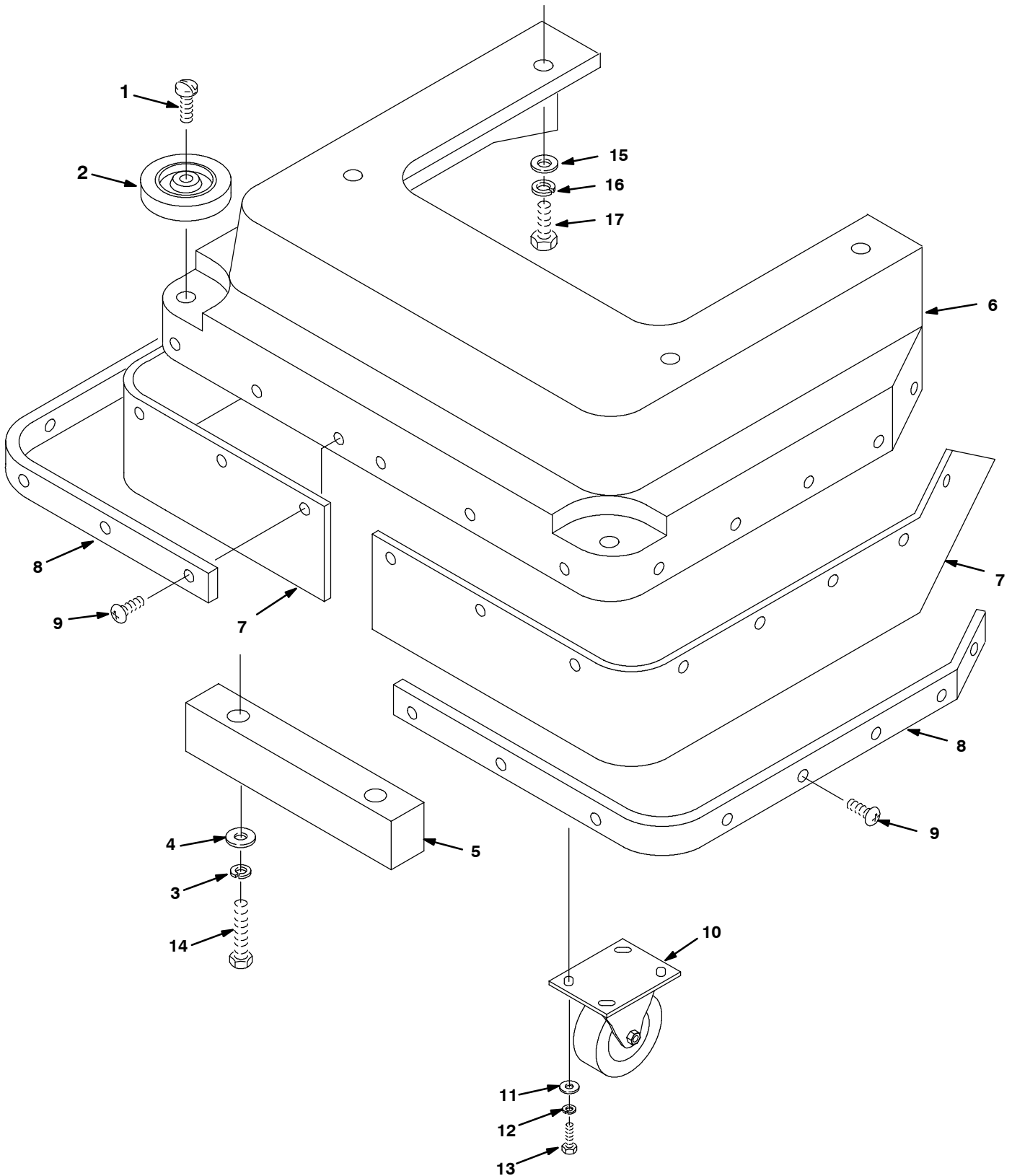
REF	PART #	DESCRIPTION	QTY.
14	230697	●STOP, DRIVER RELEASE	1
15	230651	●CLAMP, BRUSH PLATE	1
16	140417	●CLIP, SPRING	1
17	25732	WASHER, 0.36B 1.25D .093 FLT	2
18	140015	WASHER, LOCK, SPLT 0.31 SS	1
19	140219	SCREW, HEX .31-18 X 1.00	1
20	140234	SCREW, HEX .50-13 X 2.50	1
21	3148.816	WASHER, 0.52B 0.88D .06	1
22	140430	SPRING, HANDLE LOCK	1
23	140127	BEARING, THURST	2
24	140509	NUT, 1/2-13 HXJM	3
25	140024	WASHER, LOCK 0.50 SS	2
26	140139	SLEEVE, 0.625D 0.500B 0.25L	2
27	140045	WASHER, FLAT, 0.51B 1.25D .06 SS	4
28	140237	SCREW, HEX .50-13 X 1.00	2

▽ ASSEMBLY / CONJUNTO

▲ INCLUDED IN ASSEMBLY / INCLUIDO EN EL CONJUNTO

● RECOMMENDED STOCK ITEMS / ARTICULOS RECOMENDADOS

SKIRT GROUP
CONJUNTO JUEGO



**SKIRT GROUP
CONJUNTO JUEGO**

REF	PART #	DESCRIPTION	QTY.
∇	608789	ASM, SKIRT 20" TEAL	1
▲	1	●SCREW, TRS .31-18 X 1.50 PHL	2
▲	2	●WHEEL, RBR 3.0D W/BUSHINGS	2
▲	3	WASHER, LOCK, SPLT 0.31 SS	4
▲	4	WASHER, FLAT, 0.35B 0.75D .04 SS	2
▲	5	WEIGHT, 2X2.5X9.5	1
▲	6	SKIRT, HSG. 20" TEAL	1
▲	7	●GUARD, SPLASH	2
▲	8	STRAP, SPLASH GUARD	2

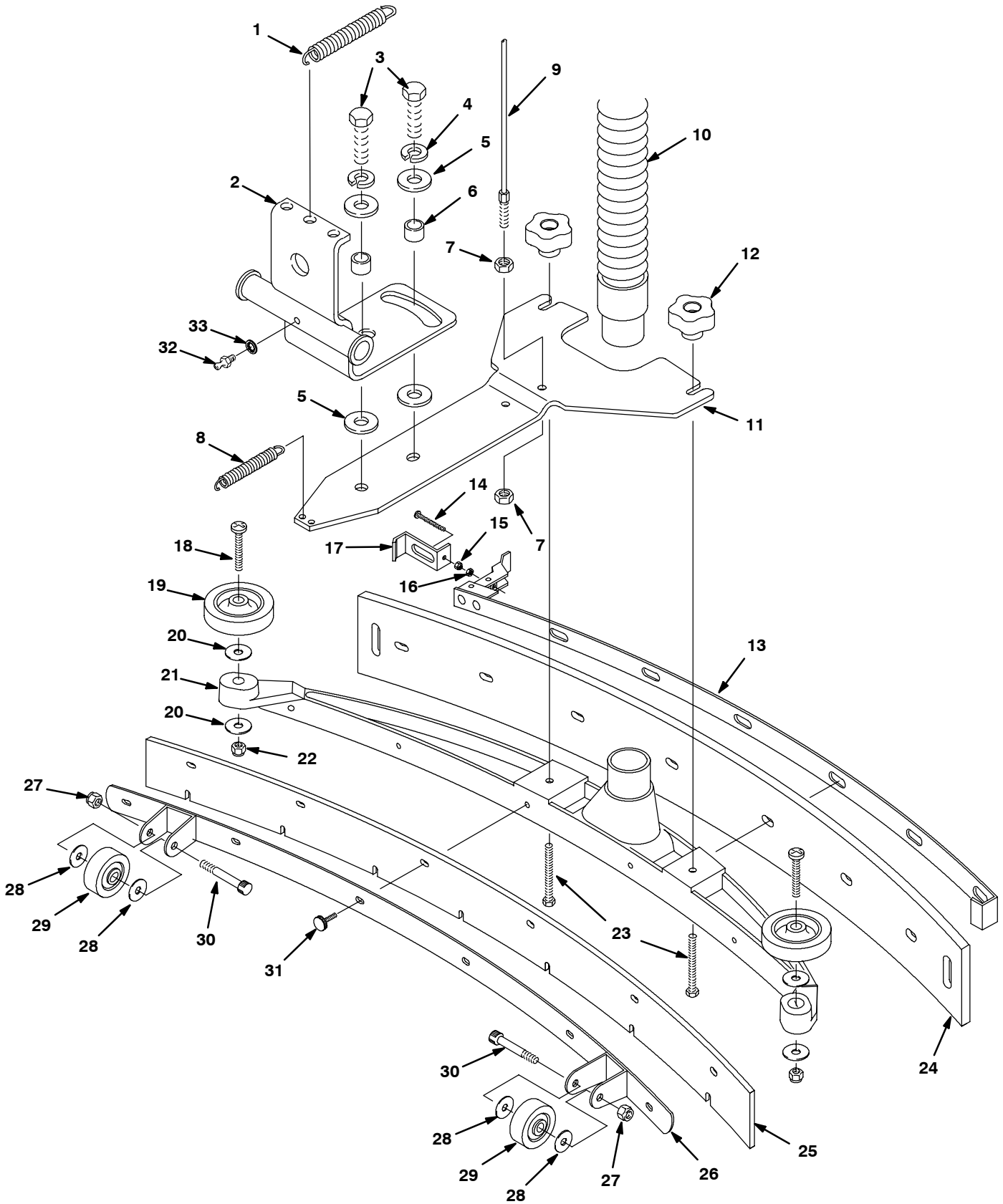
REF	PART #	DESCRIPTION	QTY.
▲	9	SCREW, TRS 10-24X0.50 PHL SEM	16
▲	10	●CASTER, SWIVEL 3"X1.25"	2
▲	11	WASHER, 1/4 FLAT	8
▲	12	WASHER, LOCK 0.25	8
▲	13	SCREW, HEX, .25-20 X .62 SS	8
▲	14	SCREW, 5/16-18X2-1/2 TAP	2
	15	WASHER, FLAT, 0.35B 0.75D .04 SS	4
	16	WASHER, LOCK, SPLT 0.31 SS	4
	17	SCREW, HEX .31-18 X 1.50	4

∇ ASSEMBLY / CONJUNTO

▲ INCLUDED IN ASSEMBLY / INCLUIDO EN EL CONJUNTO

● RECOMMENDED STOCK ITEMS / ARTICULOS RECOMENDADOS

CURVED SQUEEGEE GROUP
CONJUNTO PALETA ENCORUADO



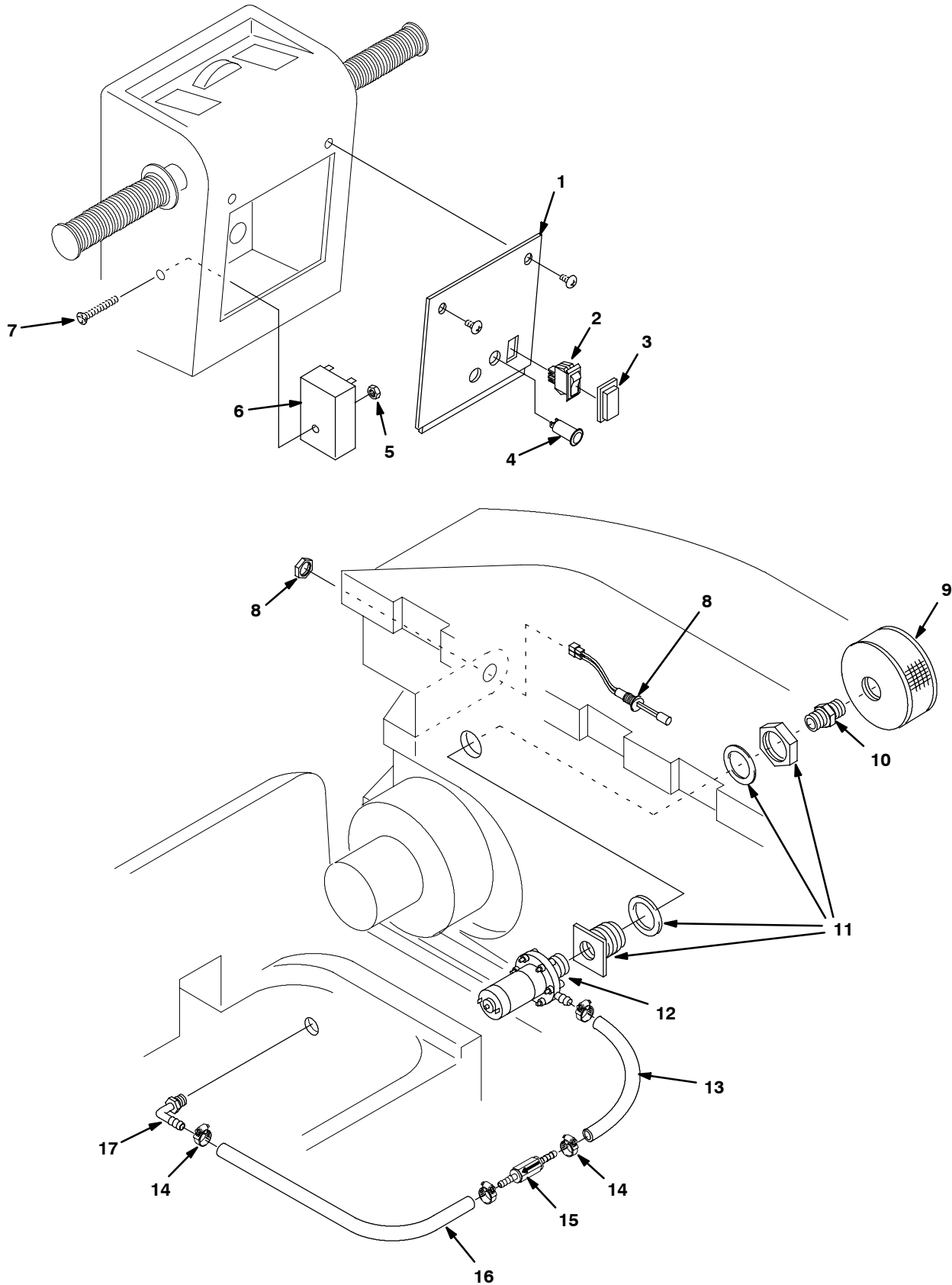
CURVED SQUEEGEE GROUP
CONJUNTO PALETA ENCORUADO

REF	PART #	DESCRIPTION	QTY.
1	603149	SPRING, EXT .65 X 5.00 X .069	1
2	608834	PIVOT, SQUEEGEE MOUNT	1
3	140237	SCREW, HEX .50-13 X 1.00	2
4	140024	WASHER, LOCK 0.50 SS	2
5	140045	WASHER, FLAT, 0.51B 1.25D .06 SS	4
6	140139	SLEEVE, 0.625D 0.500B 0.25L	2
7	140524	NUT, 1/4-20 KEP	2
8	140433	SPRING, EXTENSION .50 X 3.00	2
9	1015636	●CABLE, SQUEEGEE LIFT	1
10	612798	●HOSE, VAC 1-1/2X27" W/CUFFS	1
11	612793	BRACKET, SQUEEGEE MOUNT	1
12	1011094	●KNOB, RND 1.50DIA 5 EAR	2
13	630348	●BAND, ASSY SQUEEGEE	1
14	630389	SCREW, PAN M5 X 0.8 X 45 PHL	1
15	09739	NUT, HEX M5 X .8 LOCK NL	1
16	140297	NUT, M5X.8 HEX	1
17	630287	●CLIP, SQUEEGEE BAND	1
18	630424	SCREW, PAN M8X1.25X70 PHL	2
19	1014918	●WHEEL, RBR 3.0D W/BUSHINGS	2
20	630303	WASHER, FLAT M8.4 X 25.4 X 2.0	4
21	630275	CASTING, SQUEEGEE 20"	1
22	08709	NUT, HEX LOCK M8 X 1.25 NL	2
23	140799	SCREW, TRS .31-18 X 1.50 PHL	2

● RECOMMENDED STOCK ITEMS / ARTICULOS RECOMENDADOS

REF	PART #	DESCRIPTION	QTY.
24	REAR BLADES		
	612792	●BLADE, SQUEEGEE REAR LINATEX (RED) STANDARD	1
	630296	●BLADE, SQUEEGEE REAR GUM RUBBER (TAN) OPTIONAL	1
	612794	●BLADE, SQUEEGEE REAR URETHANE (WHITE) OPTIONAL	1
25	FRONT BLADES		
	612980	●BLADE, FRONT SQUEEGEE LINATEX (RED) STANDARD	1
	612981	●BLADE, FRONT SQUEEGEE GUM RUBBER (TAN) OPTIONAL	1
	612982	●BLADE, FRONT SQUEEGEE URETHANE (WHITE) OPTIONAL	1
	QUARRY TILE FRONT BLADES		
	630288	●BLADE, FRONT SQUEEGEE LINATEX (RED) OPTIONAL	1
	630291	●BLADE, FRONT SQUEEGEE GUM RUBBER (TAN) OPTIONAL	1
	600207	●BLADE, FRONT SQUEEGEE URETHANE (WHITE) OPTIONAL	1
26	612791	●BAND, SQUEEGEE FRONT	
27	601108000	NUT, 5/16-18 HEX LCK THIN NY	2
28	140028	WASHER, FLAT 0.42B, 1.00D	4
29	630477	●WHEEL, 2.0D 0.38W POLY GRAY	2
30	600187	SCREW, SHLD .380 X 1.25, .31-18	2
31	603012	●KNOB, RND PLSTC M6 X 12 STUD	6
32	150015	FITTING, GREASE 1/4-28M	1
33	578244000	WASHER, M6.4 X 10 LOCK	1

ES® KIT
ES® JUEGO



**ES® KIT
ES® JUEGO**

REF	PART #	DESCRIPTION	QTY.
▽	604951	●KIT, RECYCLE ES®	1
▲ 1	604952	COVER, CONTROL PANEL	1
▲ 2	630419	●SWITCH, ROCKER 28VDC SPST	1
▲ 3	578720	●SPLASHGUARD, RCKR SWITCH	1
▲ 4	130738	●LIGHT, INDICATOR GREEN	1
▲ 5	140552	NUT, HEX 10-24 NL	1
▲ 6	630145	●TIMER, 24VDC, RANGE:30SEC	1
▲ 7	140753	SCREW, 10-24X1-1/2 FLTPHL	1
▲ 8	603166	●SENSOR, LEVEL, LIQUID 28VDC	1
▲ 9	630138	●FILTER, SCREEN 100-MESH	1

REF	PART #	DESCRIPTION	QTY.
▲ 10	630385	FITTING, PLSTC STR PM12/PM12	1
▲ 11	601490	FITTING, 3/4NPT BULKHEAD	1
▲ 12	630136	●PUMP, SOLUTION 24VDC	1
▲ 13	630417	TUBING, 3/8ID X 5/8OD X 6.5"	1
▲ 14	54333	CLAMP, HOSE WORM 0.31-0.88D	4
▲ 15	210044	●VALVE, CHECK	1
▲ 16	606363	TUBING, 3/8ID X 5/8OD X 13"	1
▲ 17	150415	FITTING, PLSTC E90 PM04/BM06	1
▲ N/S	604787	HARNESS, WIRE ES® KIT	1

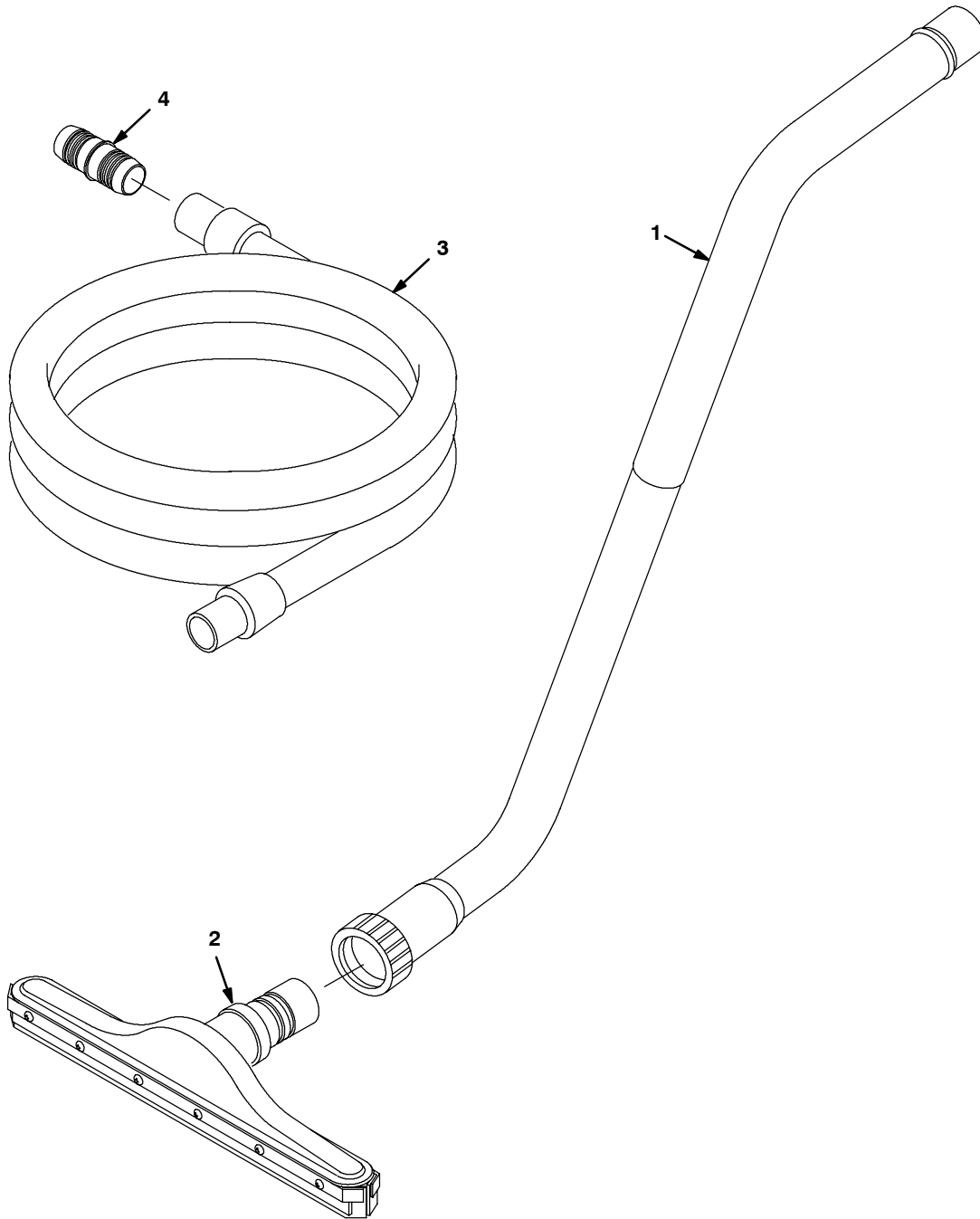
▽ ASSEMBLY / CONJUNTO

▲ INCLUDED IN ASSEMBLY / INCLUIDO EN EL CONJUNTO

● RECOMMENDED STOCK ITEMS / ARTICULOS RECOMENDADOS

N/S = NOT SHOWN

**SQUEEGEE WAND ASSEMBLY
GROUPE D'ASPIRATION ET RACLETTE À MAIN**



REF	PART #	DESCRIPTION	QTY.
▽	190928	●ASM, WAND DOUBLE BEND	1
▲ 1	6108.1	WAND, DOUBLE BEND	1
▲ 2	13840	SQUEEGEE ASM PUSH/PULL	1

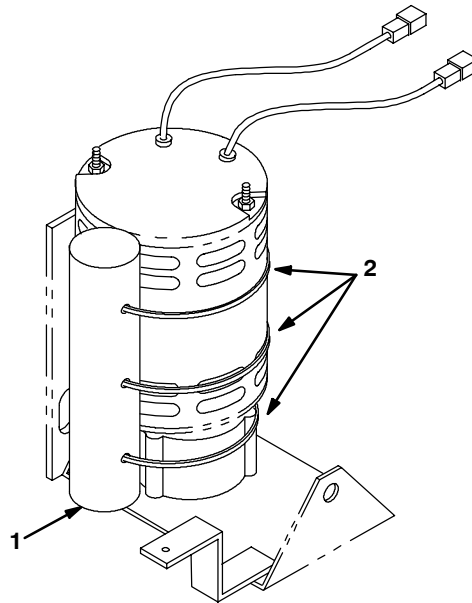
REF	PART #	DESCRIPTION	QTY.
▲ 3	160481	●HOSE, VAC 1-1/2X10'	1
▲ 4	160451	CONNECTOR, VAC HOSE	1

▽ ASSEMBLY / CONJUNTO

▲ INCLUDED IN ASSEMBLY / INCLUIDO EN EL CONJUNTO

● RECOMMENDED STOCK ITEMS / ARTICULOS RECOMENDADOS

**BRUSH WEIGHT KIT
KIT DEL PESO DEL CEPILLO**



REF	PART #	DESCRIPTION	QTY.
▽	190703	●KIT, BRUSH WEIGHT	1
▲ 1	230799	WEIGHT, BRUSH	1

REF	PART #	DESCRIPTION	QTY.
▲ 2	130042	WIRE TIE, NYLON	6

▽ ASSEMBLY / CONJUNTO

▲ INCLUDED IN ASSEMBLY / INCLUIDO EN EL CONJUNTO

● RECOMMENDED STOCK ITEMS / ARTICULOS RECOMENDADOS